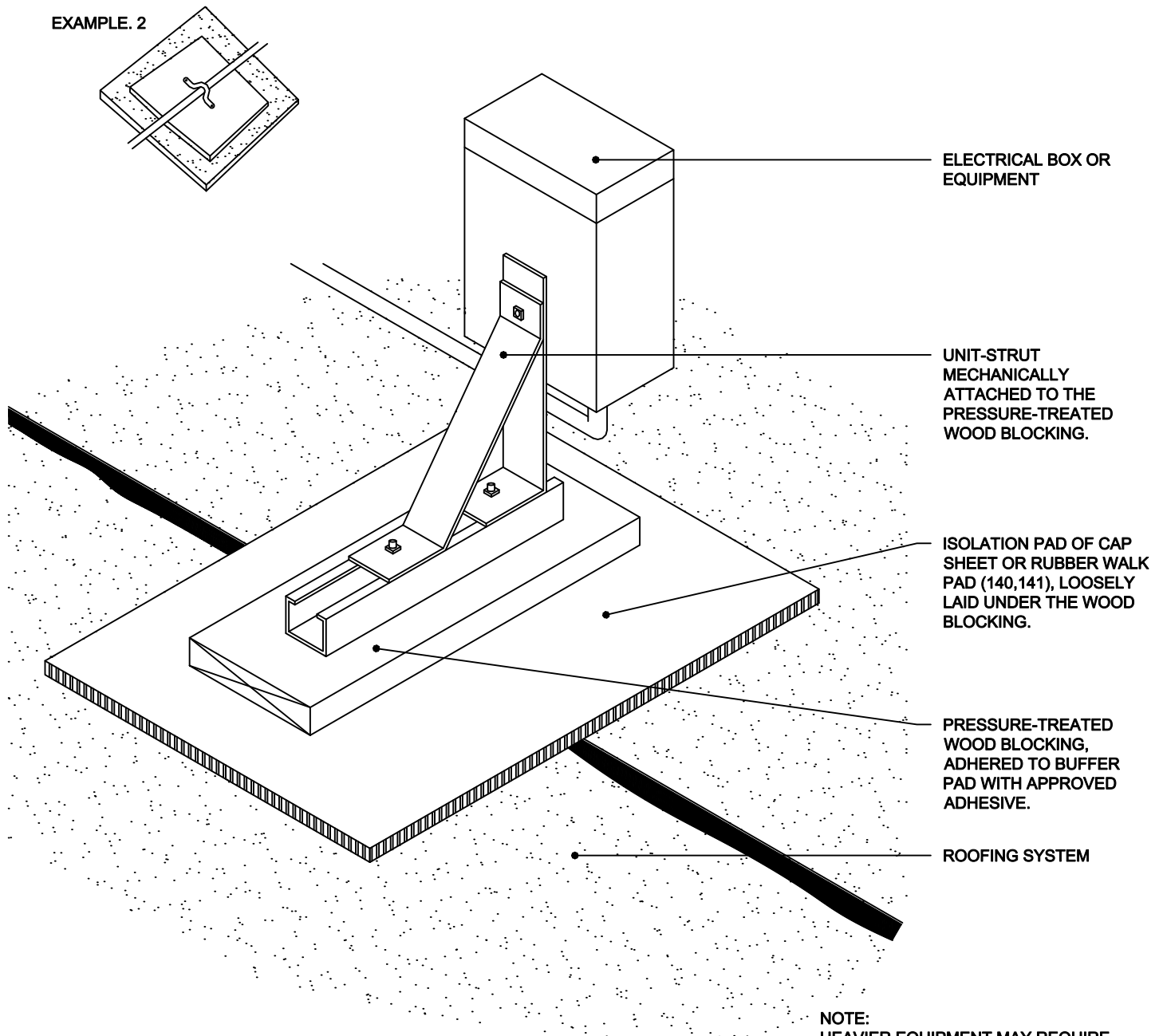


NON-PENETRATING SUPPORT

EXAMPLE. 2



ELECTRICAL BOX OR EQUIPMENT

UNIT-STRUT MECHANICALLY ATTACHED TO THE PRESSURE-TREATED WOOD BLOCKING.

ISOLATION PAD OF CAP SHEET OR RUBBER WALK PAD (140,141), LOOSELY LAID UNDER THE WOOD BLOCKING.

PRESSURE-TREATED WOOD BLOCKING, ADHERED TO BUFFER PAD WITH APPROVED ADHESIVE.

ROOFING SYSTEM

NOTE:
HEAVIER EQUIPMENT MAY REQUIRE THE USE OF A DENSER BUFFER PAD SUCH AS THE MALARKEY 140 OR 141 RUBBER WALK PADS TO AID IN DISPLACING THE WEIGHT.

LOW SLOPE O

PROJECT NAME:

DATE:

SCALE: NOT TO SCALE

PROJECT NO:

ADDRESS:

DRAWING NO. :

OWNER:

SUBMITTAL NO. :