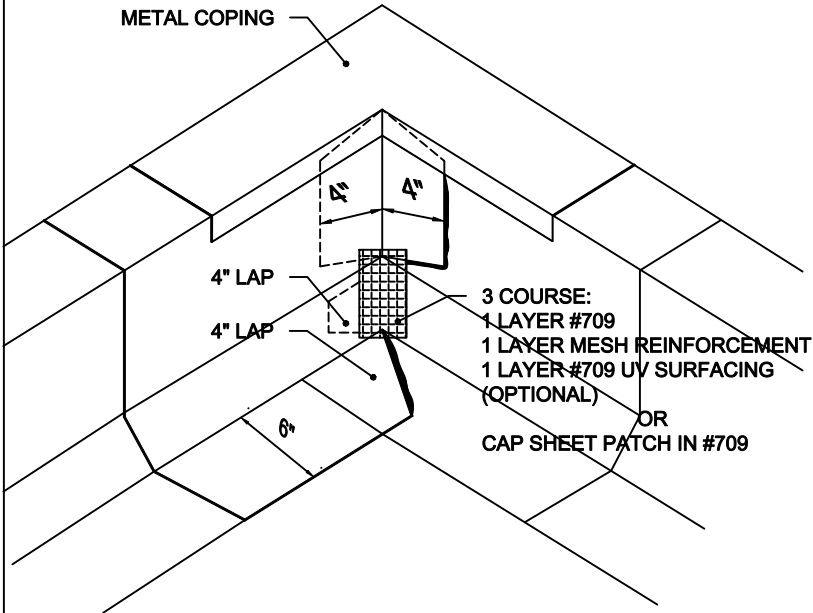
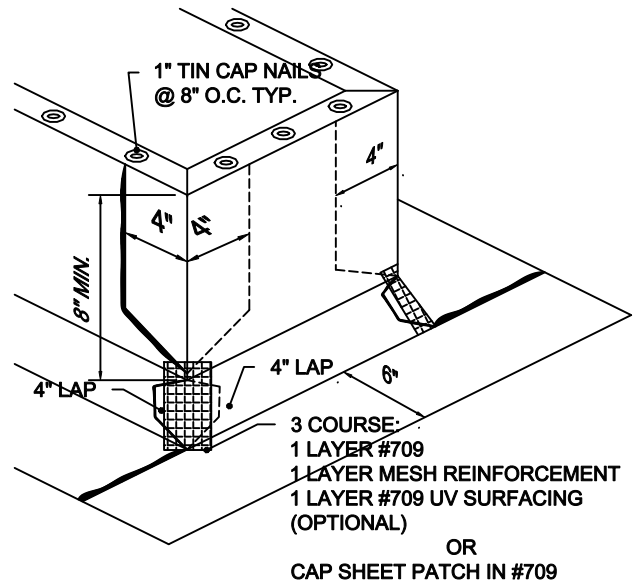


# INSIDE & OUTSIDE CORNERS



**BASE FLASHING INSIDE  
CORNER**



**BASE FLASHING OUTSIDE  
CORNER**

**LOW SLOPE M**

	PROJECT NAME:	DATE:
		SCALE: NOT TO SCALE
	ADDRESS:	PROJECT NO:
	OWNER:	DRAWING NO. :
		SUBMITTAL NO. :