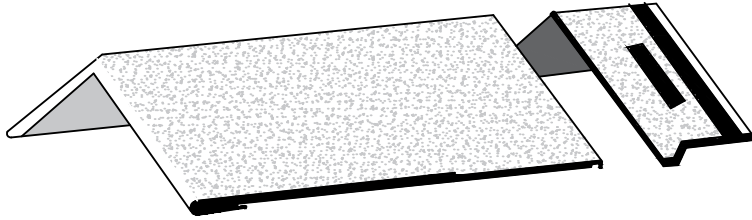


EZ-RIDGE HIP AND RIDGE SHINGLES LAMINATE SHINGLE ROOF

EZ-RIDGE INSTALLATION - REMOVE RIDGE SHINGLES FROM CARTON AND PLACE ON ROOF RIDGE IN POSITION OVER INSTALLED FIELD SHINGLES. OVERLAP ALL RIDGES TO THE CUTOUT (ALWAYS MAINTAINING EXPOSURE OF HIP OR RIDGE AT 8 1/4"). PUSH DOWN ON CENTER OF SHINGLE AND NAIL TO FIT EXACT PITCH OF ROOF. THE ENTIRE SHINGLE SHOULD BE ALIGNED WITH THE UNDERLYING CUTOUT. BEGIN AT THE BOTTOM OF THE HIP OR AT THE RIDGE OPPOSITE THE DIRECTION OF PREVAILING WINDS. COMPLETE HIPs BEFORE RIDGES.

-TO ENSURE IMMEDIATE SEALING, MALARKEY RECOMMENDS EACH RIDGE SHINGLE BE SEALED DOWN UNDERNEATH WITH A QUARTER-SIZED SPOT OF SHINGLE TAB ADHESIVE ON EACH SIDE.

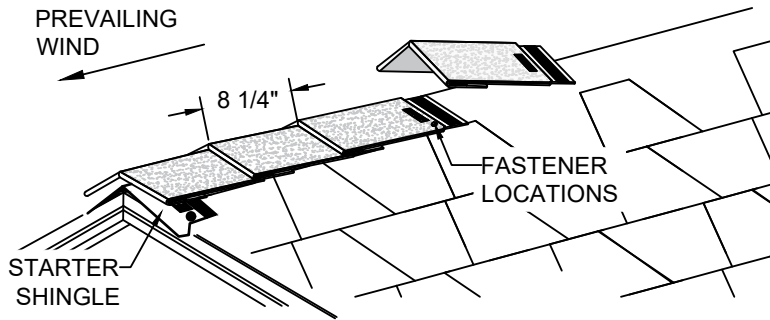
NOTE: AVOID EXCESSIVE USE OF ADHESIVE AS IT MAY CAUSE BLISTERING.



TO CREATE AN EZ-RIDGE STARTER, CUT OFF THE 8 1/4" EXPOSURE PORTION* OF AN EZ-RIDGE SHINGLE, AND USE THE 3 1/4" REMAINDER (WITH SEAL-DOWN STRIP) AS THE STARTER.

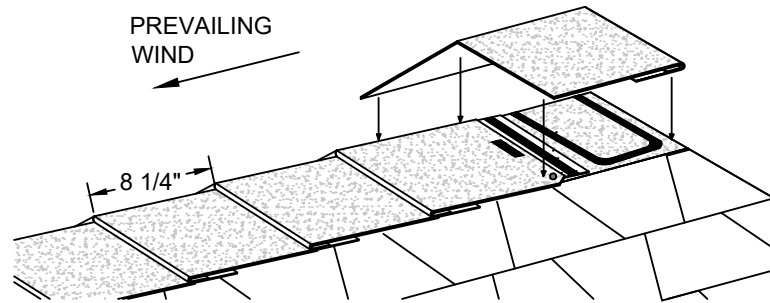
PLACE THE STARTER FLUSH TO THE RAKE AT THE PEAK, AND POSITION SO SEAL-DOWN STRIP IS NEAREST THE ROOF EDGE. FASTEN WITH TWO NAILS, ONE ON EACH SIDE, 3/4" BEHIND THE CUTOUT AND 1/2" UP FROM THE EDGE.

*SAVE THE EXPOSURE PORTION FOR USE AS THE LAST SHINGLE ON THE OPPOSITE END OF THE RIDGE.



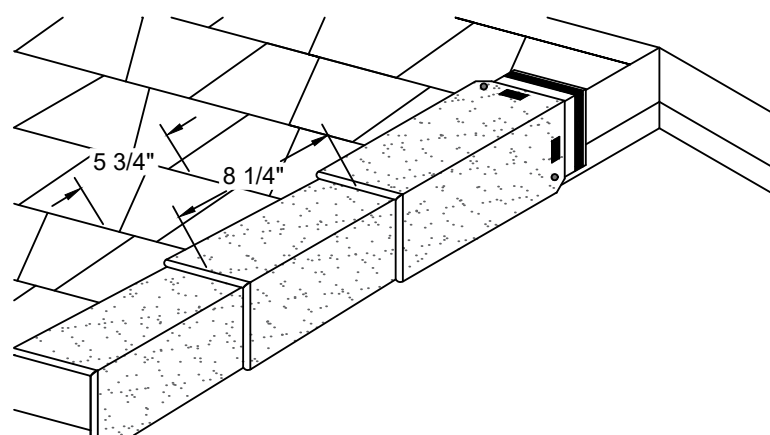
FIRST EZ-RIDGE SHINGLE COMPLETELY OVERLAPS STARTER. POSITION EACH EZ-RIDGE SHINGLE TO FOLLOW WITH AN 8 1/4" EXPOSURE BEFORE FASTENING.

SHINGLE FASTENING: INSTALL ONE NAIL ON EACH SIDE OF THE EZ-RIDGE SHINGLES, 3/4" BEHIND THE CUTOUT, AND 1/2" UP FROM THE EDGE. USE 3/8" HEADED, NON CORROSIVE ROOFING NAILS, LONG ENOUGH TO PENETRATE ALL LAYERS AND FASTEN THE SHINGLE SECURELY TO THE ROOF DECK.



FOR THE LAST SHINGLE OF THE RUN, REMOVE THE CUTOUT END OF THE RIDGE SHINGLE AND TRIM TO FIT, MAINTAINING THE 8 1/4" EXPOSURE. SET THE SHINGLE IN MASTIC.

THE LAST SHINGLE OF THE RUN CAN ALSO BE FLIPPED AROUND TO PRESERVE THE HIGH-PROFILE APPEARANCE AT THE RAKE EDGE OF THE ROOF.



RAKE EDGE INSTALLATION: EZ-RIDGE SHINGLES CAN ALSO BE INSTALLED ON RAKE EDGES. INSTALL RAKE EDGE SHINGLES BEFORE RIDGE SHINGLES.

FOLLOW EZ-RIDGE INSTALLATION INSTRUCTIONS WITH THESE EXCEPTIONS: ALWAYS START AT THE LOW END OF THE ROOF, AND POSITION THE HIGH PROFILE, FINISHED END OF THE SHINGLES IN THE LOWEST POSITION.

INSTALLATION WITH EXPOSED NAILS MAY AFFECT THE AESTHETIC APPEAL OF EZ-RIDGE SHINGLES.

STEEP SLOPE 22B



Rev. 3/20

PROJECT NAME:

ADDRESS:

OWNER:

DATE:

SCALE: NOT TO SCALE

PROJECT NO:

DRAWING NO. :

SUBMITTAL NO. :