

# Right Start™ UDL

## Underlayment

Right Start™ UDL is made with our industry-leading **NEX® Polymer Modified (Rubberized) Asphalt**, an innovative technology that uses rubber polymers [molecular compounds] to strengthen and rubberize the asphalt core of the underlayment for vastly superior all-weather resilience and longevity.

It's more sustainable too. Added to the mix are *upcycled* polymers from used tires and plastic bags. **Sustainability without sacrificing performance.**

### INSTALLED SECOND

When installing a complete 5-component system, underlayment is installed second, after the ice & water barrier, and prior to the starter shingles.

#### NEX® RUBBERIZED ASPHALT

Asphalt core of underlayment is rubberized with synthetic rubber polymers (SBS) to enhance strength, flexibility, and resilience. **Performing in all weather conditions for over 25 years.**

#### UPCYCLED RUBBER & PLASTIC

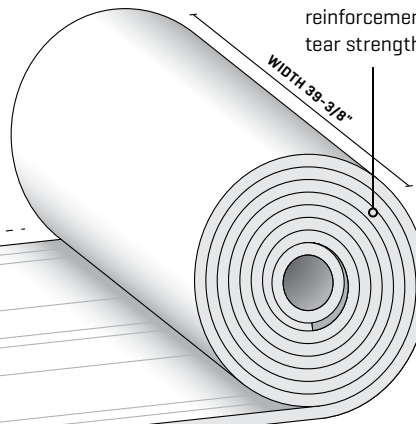
Polymers from recycled rubber and plastic improve underlayment durability while **diverting used tires and plastic bags from the landfill.**

#### FIBERGLASS MAT

Provides structural reinforcement and tear strength.

### EFFECTIVE DRY-IN SHEET

High-performance steep slope water-resistant protection underneath asphalt shingles, wood shakes, and concrete or clay roofing tiles.

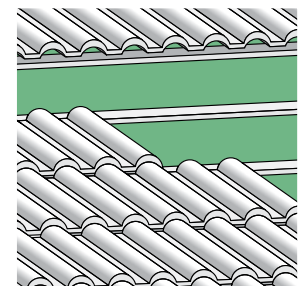


#### WITHSTANDS WEIGHT AND WEAR

Ideal for **heavier or more labor-intensive** asphalt and tile roof installations.

#### INCREASED WALKABILITY

Underlayment is constructed with a mineral surface for **improved walkability and safety vs. traditional roofing felts.**



Right Start™ UDL is mechanically fastened to the roof deck, and carries a UL Class A Fire Rating when installed with a fire rated roof covering.

**Test Compliance** – ASTM D4601 Type II, ASTM D4869, ASTM D226 Type II, ASTM D6757 Type II, ASTM E108 Class A Fire Rating, ICC Approval – ESR-1561, and FBC Approvals – #14807 and #15214.

Right Start™ UDL is eligible for expanded warranty coverages relative to its use as a single roofing accessory or in combination with others in a complete Malarkey roofing system. Installed separately, it carries a 10-year product warranty against manufacturing defects. For complete Warranty details, please visit [www.malarkeyroofing.com/warranties](http://www.malarkeyroofing.com/warranties).

This version supersedes all previous versions. Rev. 06/22

[www.malarkeyroofing.com](http://www.malarkeyroofing.com)  
800-545-1191

