

Secure Start® Plus

Lightweight Synthetic Underlayment

Secure Start® Plus is **engineered with five layers of secured redundancy and improved durability**. The underlayment is a synthetic, water-resistant membrane applied to the wood decking of the entire roof as an extra layer of water penetration protection and backup to your shingles, wood shakes/shingles, metal, and mechanically-fastened roof tiles.

Secure Start® Plus installs 25% faster than traditional 36" felts and underlayments.

INSTALLED SECOND

When installing a complete 5-component system, underlayment is installed second, after the ice & water barrier, and prior to the starter shingles.

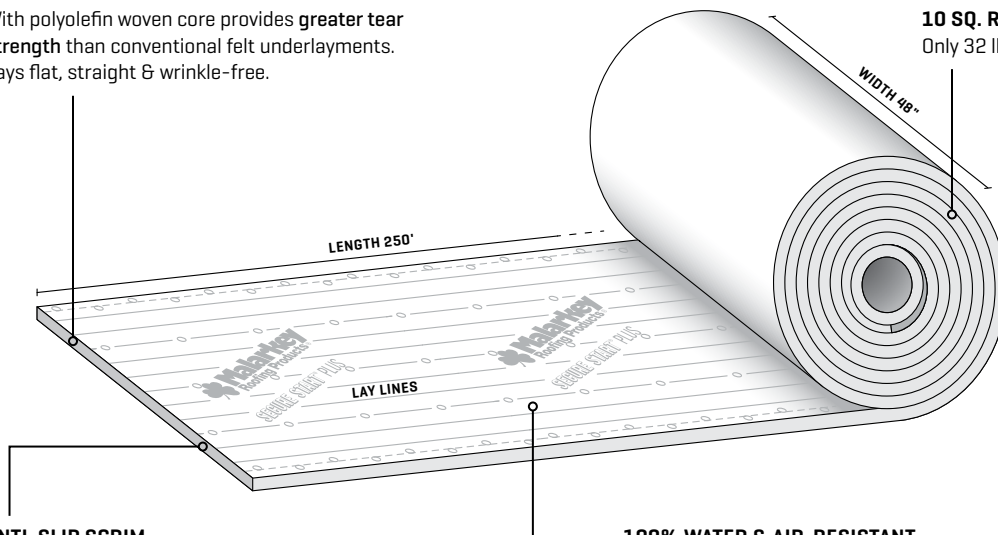
5 LAYER CONSTRUCTION

With polyolefin woven core provides **greater tear strength** than conventional felt underlayments. Lays flat, straight & wrinkle-free.

**LIGHTWEIGHT
10 SQ. ROLL**
Only 32 lbs.

IMPROVED SAFETY

Raised spots on non-woven top layer provide a slip resistant surface and make steep slope roofing installations safer in all weather conditions, while flow channels guide water drainage.

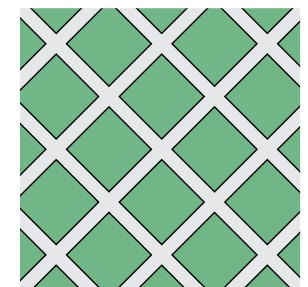


ANTI-SLIP SCRIM

Polymer-coated bottom polyolefin layer grips the deck surface for slip protection.

100% WATER & AIR-RESISTANT

With two waterproofing layers, **effectively sheds water** and can withstand 90 days of UV exposure.



Secure Start® Plus is mechanically fastened to the roof deck, and carries a **UL Class A Fire Rating** when installed with a fire-rated roof covering.

Test Compliance – ASTM D226 Types I & II, ASTM D4869 Types II & IV, ASTM D8257, ASTM E108 Class A Fire Rating, CAN/CSA A123.3, CCRR-1082, and FBC FL23186.

Secure Start® Plus is eligible for expanded warranty coverages relative to its use as a single roofing accessory or in combination with others in a complete Malarkey Secure Choice™ roofing system. Installed separately, it carries a 10-year product warranty against manufacturing defects. For complete warranty information, please visit www.malarkeyroofing.com/warranties.

This version supersedes all previous versions. Rev. 07/24

www.malarkeyroofing.com
800-545-1191

MEETS CSA A123.3
STANDARDS